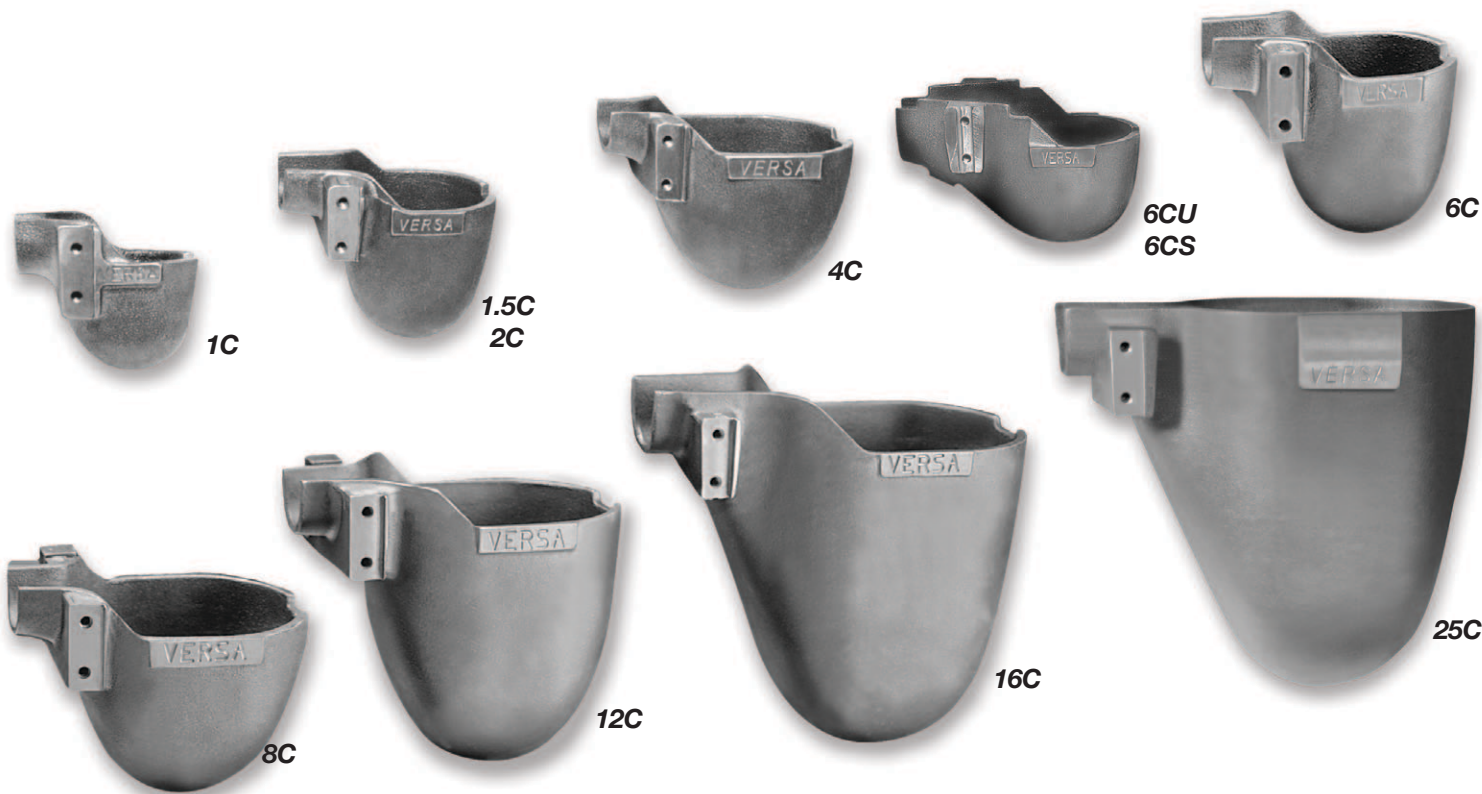
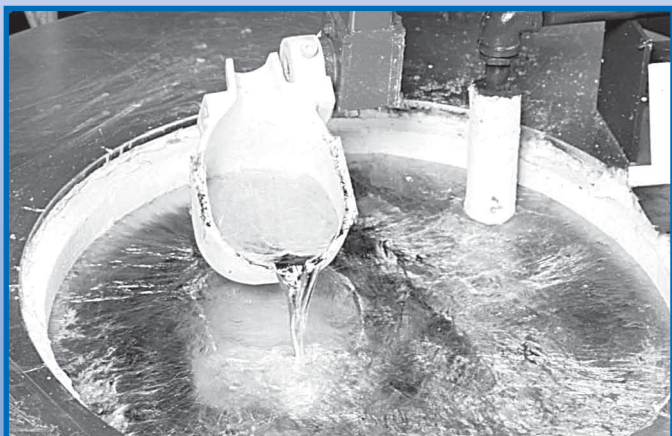


Versa Ladle Cups



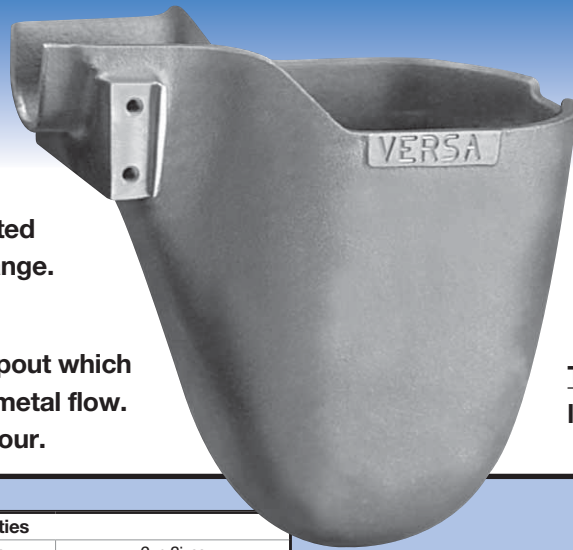
- **Multiple Sizes -**
0.44 lbs./0.20 kg to 33.70 lbs./15.29 kg capacities plus streamlined cup for UBE ladlers.
- **Heavy duty, quality controlled cast iron, produced in our own foundry. Contours designed for smooth pouring.**
- **Cups combine efficient design for fast, easy replacement on right or left hand applications.**
- **No ladle modifications necessary. Simple bolt-on design.**
- **Money-saving patented mounting system allows the re-use of mounting hanger components for optimal right or left hand use.**
- **Universal Cups fit most die casting automated ladlers with easy hanger change.**
- **Unique design minimizes aluminum build-up and premature cup replacement.**
- **Textured cast surface is excellent for ladle coating adherence.**



Hanger can be attached to either side of cup for left or right uses.

Universal cup fits most automated ladlers with an easy hanger change.

Ladle Cup pivots on spout which maintains consistent metal flow. Allows direct sleeve pour.

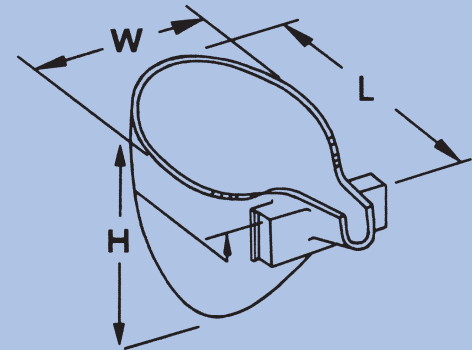


Extra thick quarter-inch wall for longer life.

Heavy duty, quality controlled cast iron from our own foundry.

Textured cast surface for excellent ladle coating adherence.

Ladle Cup Capacities			
Ladle Model #	15 Degree	50 Degree	Cup Sizes
1C	1.16 lbs. / 0.53 kg	0.44 lbs. / 0.20 kg	3.25" L x 4.25" W x 4" H
1.5C	3.12 lbs. / 1.42 kg	1.04 lbs. / 0.47 kg	4.875" L x 4.75" W x 5" H
2C	4.28 lbs. / 1.95 kg	1.78 lbs. / 0.81 kg	4.875" L x 4.75" W x 5" H
4C	7.61 lbs. / 3.45 kg	2.14 lbs. / 0.97 kg	6.875" L x 6" W x 5.375" H
6C	9.45 lbs. / 4.29 kg	3.49 lbs. / 1.58 kg	6.5" L x 6" W x 6.25" H
6CU *	6.32 lbs. / 2.87 kg	1.71 lbs. / 0.78 kg	10" L x 6.5" W x 6.75" H
6CS **	6.32 lbs. / 2.87 kg	1.71 lbs. / 0.78 kg	10" L x 6.5" W x 6.75" H
8C	15.26 lbs. / 6.92 kg	6.43 lbs. / 2.92 kg	8" L x 6.625" W x 7.875" H
12C	19.68 lbs. / 8.93 kg	9.85 lbs. / 4.47 kg	9.125" L x 7" W x 9" H
16C	26.89 lbs. / 12.20 kg	12.55 lbs. / 5.69 kg	10" L x 7" W x 10.125" H
25C	33.70 lbs. / 15.29 kg	18.00 lbs. / 8.17 kg	10" L x 7" W x 11.5" H



* 6 CU with T style hanger 200U used with the UBE only.

** 6 CS shallow profile can be used on all automatic pouring units.

Hanger Sets	Individual Components	Description
Advance / Toshiba Hanger	101AT	25.0 mm Thru Hole
Buhler Hanger	100B	Fits 0.875 Dia. Shaft
Rimrock Hanger	101R	Fits 1.25 Dia. Shaft
Snair Hanger	101S	Fits 1.0 Dia. Shaft
UBE (w/Slot)	100U (6CS only)	20.0 mm Thru Hole
UBE (w/Slot)	101U (6CS only)	25.0 mm Thru Hole
UBE (Tee Style)	200U (6CU only)	Slide Style

Shipping Weights (Approx.)	
Ladle Cups	Hangers
1C - 5.0 lbs.	101AT - 1.8 lbs.
1.5C - 7.25 lbs.	100B - 2 lbs.
2C - 7.5 lbs.	101R - 2 lbs.
4C - 9.0 lbs.	101S - 2 lbs.
6C - 12.0 lbs.	100U - 1.8 lbs.
6CU* - 11.0 lbs.	101U - 1.8 lbs.
6CS** - 11.0 lbs.	200U - 2 lbs.
8C - 15.0 lbs.	
12C - 18.75 lbs.	
16C - 22.5 lbs.	
25C - 24.0 lbs.	

Advance/ Toshiba Hanger



101AT

Buhler Hanger



100B

Rimrock Hanger



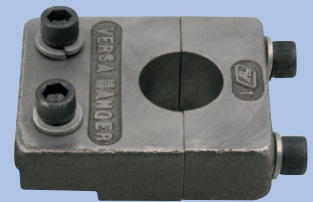
101R

Snair Hanger



101S

UBE Hangers



100U-20.0 mm dia.
(use with 6 CS only)
101U-25.0 mm dia.
(use with 6 CS only)



200 U
(use with 6 CU only)



NORTHERN IRON & MACHINE

867 Forest Street
St. Paul, Minnesota 55106
651-778-3308 Fax: 651-778-1321
www.VersaLadleCups.com

**Known for
QUALITY
Since 1905**